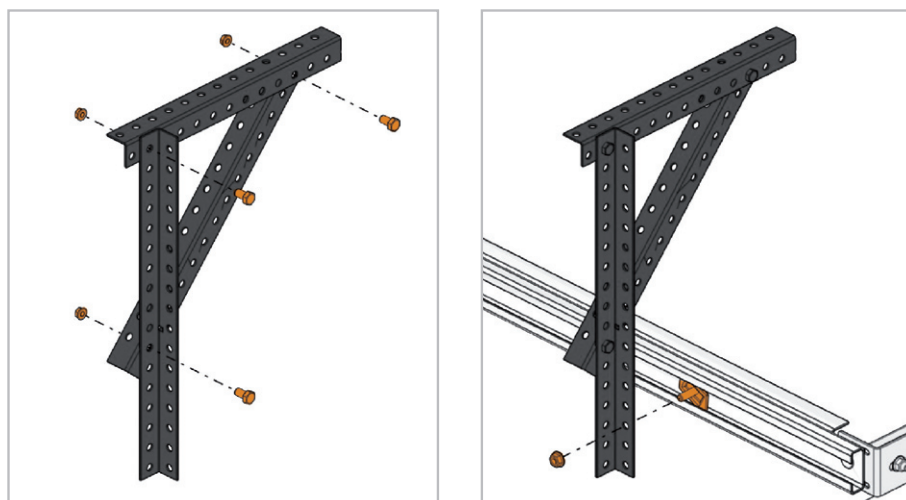


# PERFORATED ANGLES WITH SLOTTED HOLES

Dear business partner,

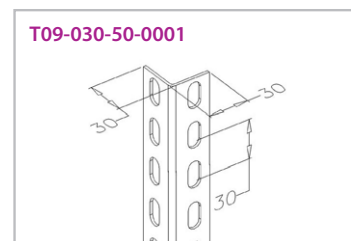
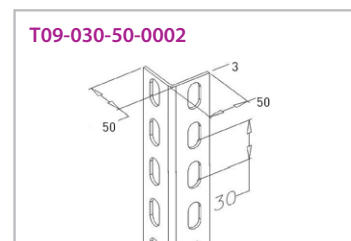
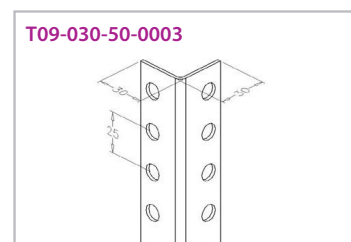
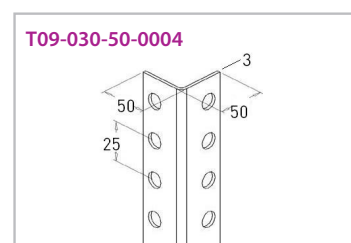
we would like to inform you about new items in our range of accessories. From 01/01/2016 we can supply perforated angles with oval holes for installation of horizontal tracks. You can order both versions (round and slotted holes) for the same price. If there is not specified in order different way, as a standard will be delivered 1pc of perforated angle with round holes  $30 \times 30 \times 2$  mm. Perforated angles are available also separately as spare parts.



- Perforated angle with round holes  $30 \times 30 \times 2$  mm, L = 3000 mm (**T09-030-50-0003**)
- Perforated angle with round holes  $50 \times 50 \times 3$  mm, L = 3000 mm (**T09-030-50-0004**)
- Perforated angle with slotted holes  $30 \times 30 \times 2$  mm, L = 3000 mm (**T09-030-50-0001**)
- Perforated angle with slotted holes  $50 \times 50 \times 3$  mm, L = 3000 mm (**T09-030-50-0002**)

## SPECIFICATION

- Flexible installation
- More options for installation



If you have any questions about this Product Info, please contact the TOORS company.

[www.toors.uk](http://www.toors.uk)